



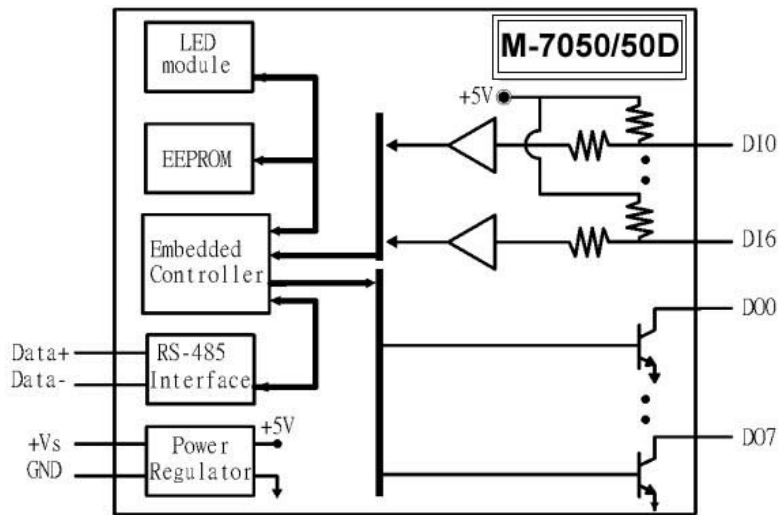
M-7050

Specifications

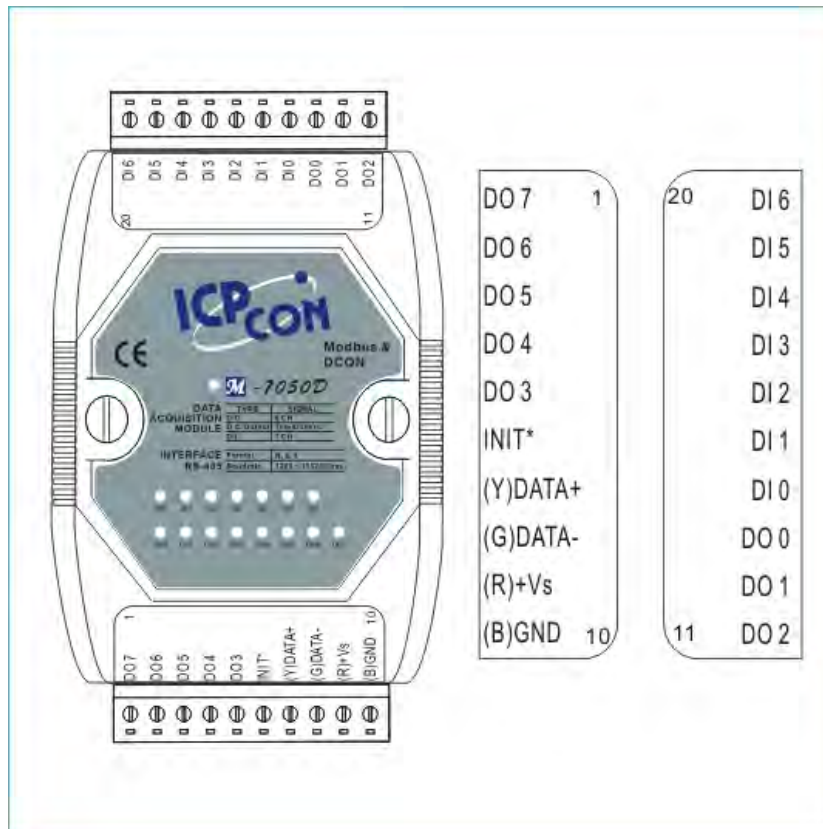
Digital Input	
Channels	7
Input Type	Sink, non-isolated channel with common ground
Off Voltage Level	+1V max.
On Voltage Level	+4V ~ +30V
Input Impedance	3K9, 0.3W
Counters	channels : 7
	Max. Counters : 16-bit (65535)
	Max. Input Frequency : 100Hz
	Min. Pulse Width : 5ms
Digital Output	
Channels	8, Sink, NPN
Output Voltage	30V max.
Output Current	30mA max.
Interface	
Interface	RS-485
Format	N, 8, 1
Baud Rate	1200 ~ 115200bps
LED Display	
1 LED as Power/ Communication indicator	
7 LEDs as Digital Input indicators, and 8 LEDs as Digital Output indicators (for M-7050D)	
Power	
Input Voltage Range	10~30VDC
Power Consumption	0.4W (M-7050) / 1.1W (M-7050D)
Protocol	
Support Modbus and DCON Protocol	Yes
Environment	
Operating Temperature	-25 to 75°C
Storage Temperature	-40 to 85°C
Humidity	5 to 95% RH, non-condensing

Hardware

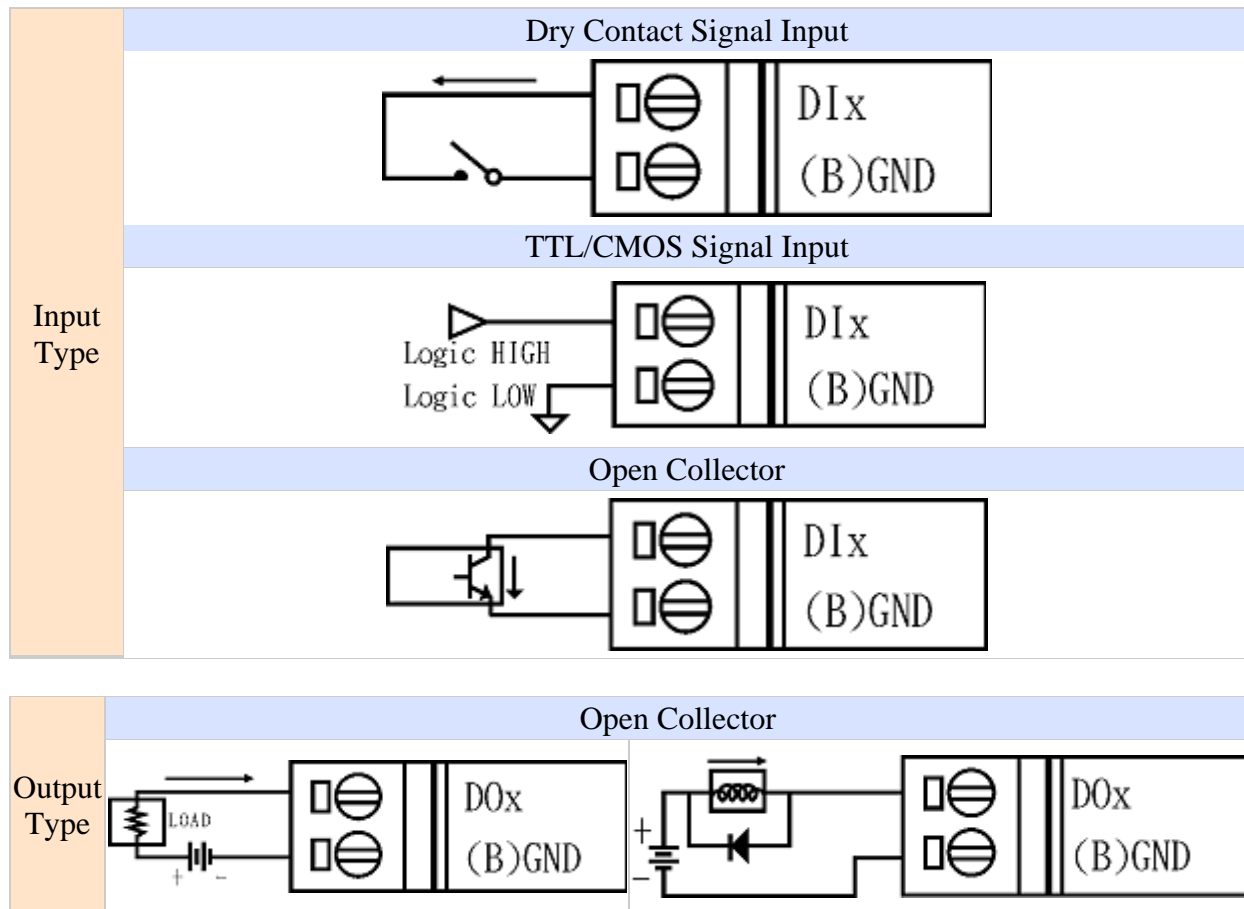
Internal I/O Structure



PIN Assignment



Wire Connection



Modbus Address Mapping

M-7000 DIO

Address	Channel	Description	Attribute
00001~00032	DO 0 ~ DO 31	Current DO value	R/W
00033~00064	DI 0 ~ DI 31	Current DI value	R
00065~00096	0~31	DIO Latch high value	R
00097~00128	0~31	DIO Latch low value	R