



¡ Tu Sitio de Automatización !



NS-205-IP67

Introduction

NS-205-IP67 Ethernet Switches are designed for use in industrial waterproof/harsh environments. The rugged packaging and IP67 connectors guarantee a total protection that can withstand a variety of extreme conditions such as high temperatures, extreme shocks & vibrations, dust particles or even liquid immersion. They can be directly mounted to any machine or convenient flat surface. Even with all its rugged features, the switch still provides a high level of functionality, including the ability to support full-duplex communication and 10Mbps/100Mbps transmission speeds. With 1.4Gbps of total bandwidth, the switch can simultaneously handle full wire speed communication on each port. A dedicated uplink port enables a connection to other switches without use of a crossover cable. No programming is necessary, as the switch auto-learns network addresses. 10 to 30VDC isolated power input keeps spikes and surges on the power line from damaging the power supply. They are completely plug and play and ready to go right out of the box.

Features

- Automatic MDI / MDI-X crossover for plug-and-play
- Each port supports both 10/100 Mbps speed auto negotiation
- Store-and-forward architecture
- Full duplex IEEE 802.3x and half duplex backpressure flow control
- 1.4Gbps high performance memory bandwidth.
- Integrated look-up engine with dedicated 1 K unicast MAC addresses.
- Supports +10~+30Vdc voltage with 1KV isolation

Reverse Polarity Protection

- Supports operating temperatures from -40 ~ +80°C
- Plastic casing with IP67

info@logicbus.com.mx

www.logicbus.com.mx

Alcalde # 1822 Col. Miraflores C.P. 44270 Guadalajara, Jal. Mexico
MX 01 (33) 3854-5975 y 3823-4349 USA 001 (619)- 884-94-93 (San Diego, CA. Office)

Specifications

Technology	
Standards	IEEE802.3, 802.3u, 802.3x
Packet Buffer Memory	256 KB
Processing Type	Store and Forward
Address Table Size	1K uni-cast addresses
Flow Control	IEEE802.3x flow control, back pressure flow control
Interface	
RJ45 ports	10/100BaseT(X) auto negotiation speed, F/H duplex mode, and auto MDI/MDIX connection
LED Indicators	Power, 10/100M, Link/Act
Cable	10 Base-T (Cat.3, 4,5 UTP cable; 100m Max.)
	100 Base-TX (Cat.5 UTP cable; 100m Max.)
Power	
Input Voltage	+10 ~ +30Vdc (1KV isolation)
Power consumption	0.12A@24VDC, +/- 5% arrowed with 10M Full duplex. 0.1A@24VDC, +/- 5% arrowed with 100M Full duplex
Mechanical	
Case	Plastic
Flammability	UL 94V-0 materials
Environmental rating	Protection rating IP67 for Operating Temperature -10 °C~ +60°C
	Protection rating IP66 for for Operating Temperature -40 °C~ +80°C
Dimensions	85mm x 126mm x 75.5mm (W x H x D)
Installation	Wall Mounting
Environmental	
Operating Temperature	-10 °C~ +60°C (Protection rating IP67)
	-40 °C~ +80°C (Protection rating IP66)
Storage Temperature	-10 ~ +60°C (Protection rating IP67)
	-40 ~ +85°C (Protection rating IP66)
Ambient Relative Humidity	100% RH for Operating Temperature -10 °C~ +60°C
	10% to 90% non-condensing for Operating Temperature -40 °C~ +80°C

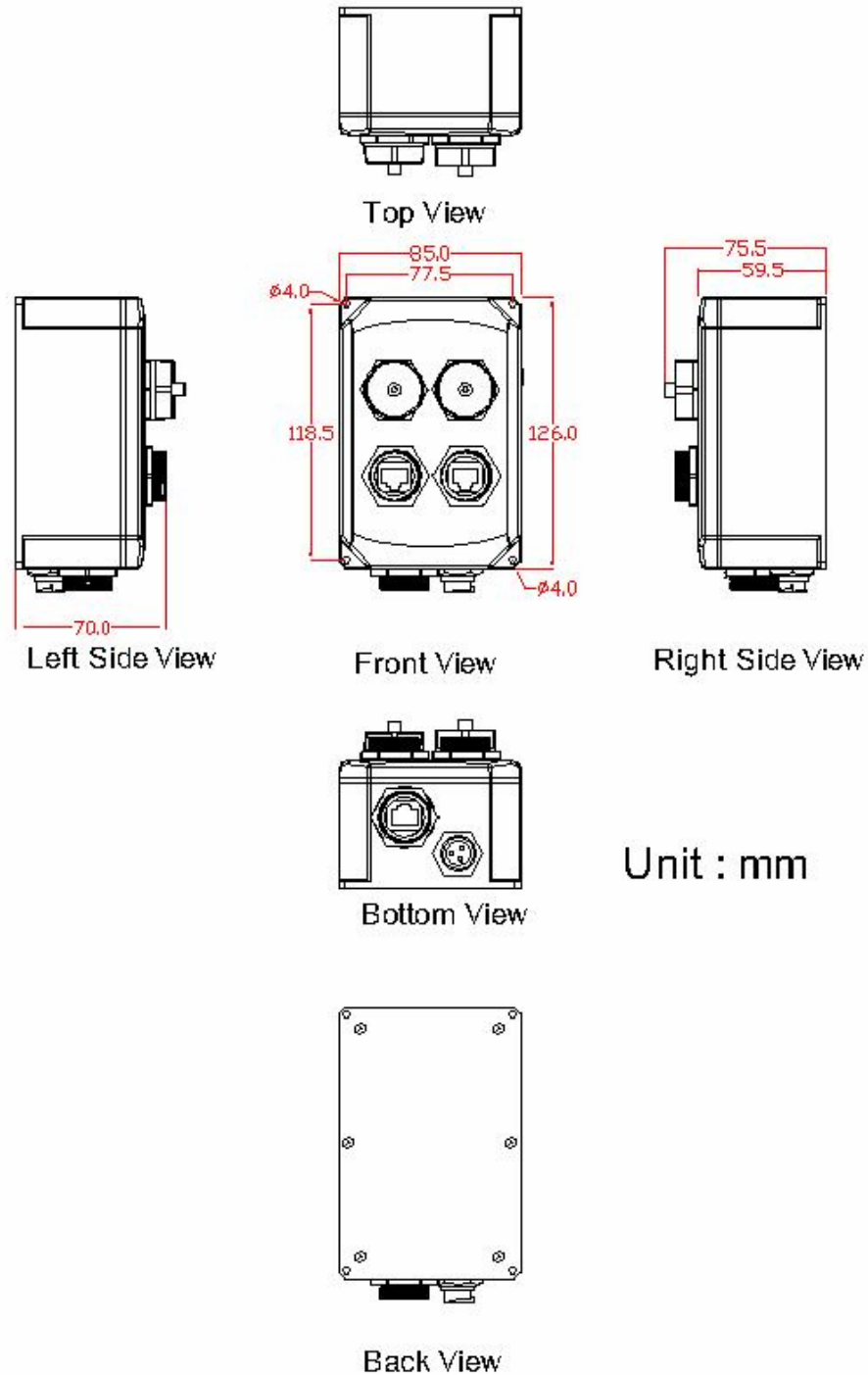
info@logicbus.com.mx

www.logicbus.com.mx

Alcalde # 1822 Col. Miraflores C.P. 44270 Guadalajara, Jal. Mexico
 MX 01 (33) 3854-5975 y 3823-4349 USA 001 (619)- 884-94-93 (San Diego, CA. Office)

Hardware

Dimensions



info@logicbus.com.mx

www.logicbus.com.mx

Alcalde # 1822 Col. Miraflores C.P. 44270 Guadalajara, Jal. Mexico
MX 01 (33) 3854-5975 y 3823-4349 USA 001 (619)- 884-94-93 (San Diego, CA. Office)