

WF-2060

The WF-2060 is a 6-channel isolated digital input with 32-bit counters and 6-channel relay output module and it is one of the members of the WF-2000 wireless product family. In addition, the WF-2060 has WLAN connection complies with the IEEE802.11b/g standards. With the popularity of 802.11 network infrastructure, the WF-2060 makes an easy way to incorporate wireless connectivity into monitoring and control systems. The WF-2060 also supports Modbus/TCP and UDP protocols and the network encryption configuration, which makes perfect integration to SCADA software and offer easy and safe access for users from anytime and anywhere.

- Support Relay type digital outputs
- Support sink / source type digital inputs
- Compatible with IEEE 802.11b/g standards
- Support infrastructure and ad hoc modes for wireless networks
- Support WEP, WPA and WPA2 wireless encryption
- Support Modbus/TCP and UDP protocols
- Support pair connection mode
- Support DO power on value & safe value mechanism
- Built-in Watchdog

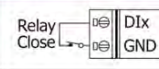
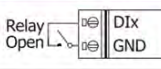
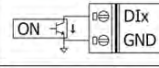
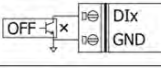
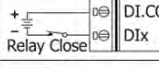
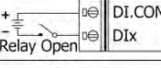
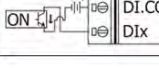
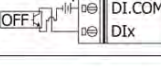
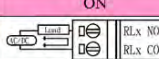
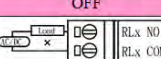


Utility Features

WF-2000 I/O Utility provides a simple way to easily test and instant acquire data for all ICP DAS Wi-Fi I/O series modules without programming

- Easily and quickly configure and test Wi-Fi I/O modules
- Provide I/O monitor screen
- Provide parameter storage interface
- Provide encryption configuration for wireless LAN

Wire Connection

Input	ON	OFF
Relay Contact (Dry)	Relay Close 	Relay Open 
Open Collector (Dry)	ON 	OFF 
Relay Contact (Wet)	Relay Close 	Relay Open 
NPN Output (Wet)	ON 	OFF 
Output	ON	OFF
Relay	ON 	OFF 

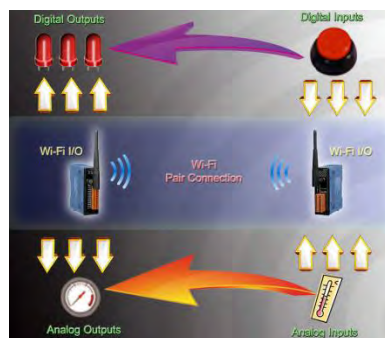


Digital Input		
Channels	6	
Input Type	Dry Contact: Source, Wet Contact: Sink / Source	
Dry Contact Level	Off Voltage Level: Open	On Voltage Level: Close to GND
Wet Contact Level	Off Voltage Level: +4V max.	On Voltage Level: +10 V ~ +50 V
Counters	Channels	8
	Max. Counts	32-bit (4294967295)
	Max. Input Frequency	10K Hz
Photo-Isolation	3750 VDC	
Digital Output		
Channels	6	
Output Type	Form A (SPST-NO)	
Contact Rating (Resistive Load)	5A 250VAC (47~63Hz)	
	5A 30VDC	
Operate Time	10ms max.	
Release Time	5ms max.	
Insulation Resistance	1,000MΩs at 500VDC	
Dielectric Strength	Between Open Contact	1000VAC (1 min.)
	Between Coil and Contacts	3000VAC (1 min.)
Endurance	Mechanical	20,000,000 times min.
	Electrical	100,000 times min.
Wi-Fi Interface		
Antenna	5 dBi (Omni-Directional)	
Standard Supported	IEEE 802.11b/g	
Wireless Mode	Infrastructure & Ad-hoc	
Encryption	WEP, WPA and WPA2	
Transmission Range	100 meters (LOS)	
Power		
Input Voltage Range	10V ~ 30V	
Power Consumption	1.6W	
Mechanism		
Installation	DIN-Rail	
Dimensions	110mm x 90mm x 33mm (H x W x D)	
Environment		
Operating Temperature	-25°C ~ +75°C	
Storage Temperature	-30°C ~ +80°C	
Humidity	10% ~ 90%	

Applications



Connection architecture



I/O Pair Connection

Ordering Information

WF-2060 CR Wi-Fi I/O Module with 6-channel Isolated Digital Input and 6-channel Relay Output (RoHS)



¡Tu sitio de automatización!