



Ethernet Serial Server

■ ■ **LBGW2151C-MAXI**

RoHS compliant

- 1-port DIN-Rail model (IP50 Standard)
- Selectable RS-232/422/485 serial interface (15 KV ESD protection)
- 10/100Mbps Fast Ethernet full duplex auto negotiation
- Support with TCP Server/Client, UDP and Virtual COM mode
- Configurable via serial console, Telnet, Web server, or Windows based utilities
- Upgradeable firmware via network

The Industrial Serial Server LBGW2151C-MAXI is a gateway between Ethernet (TCP/IP) and RS-232/422/485 communications. It allows almost any serial device to be connected to a new or existing Ethernet network.

By encapsulating serial data and transporting it over Ethernet, LBGW2151C-MAXI offers full-duplex, bi-directional data transmission transparent between serial port and Ethernet network.

In industrial and manufacturing automation fields, LBGW2151C-MAXI is used as a field device to connect Ethernet through TCP/IP protocol directly. It is also specially designed for conjunction with PLCs, HMIs, Barcode Scanners, Data Terminals, Electronic Kanbans, Shop Floor Control Systems, and Pick-to-Light Systems.

Terminal Server (main control program executed in this unit) makes most use of Ethernet connectivity to drive serial devices. It transforms whatever serial data received to TCP/UDP format then enables a host computer to drive the serial devices through the Ethernet.

Atop Virtual COM software provides existing Windows based applications to access serial-Ethernet devices by mapping to remote serial server over Ethernet.

Flexible configuration options enable this unit to be setup over Ethernet by Telnet, web browser, serial console, or other Windows utilities. Packed in a rugged metal housing with DIN Rail-mountable case and 9~30VDC wide power input range, LBGW2151C-MAXI is ideal for almost any industrial and manufacturing automation.

Industrial Serial Server

➔ **LBGW2151C-MAXI**

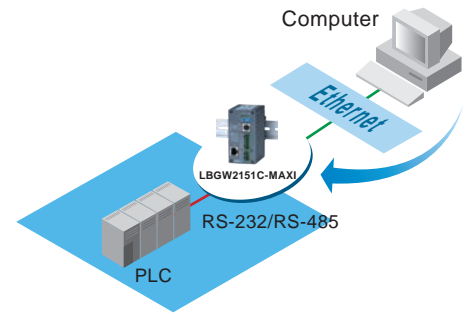
Specifications

System	
CPU	16-bit x86 Embedded CPU
Flash	512 KBytes
RAM	512 KBytes SDRAM
EEPROM	512 Bytes
Watchdog	Hardware built-in
Ethernet	
Compliance	IEEE802.3
Port	1-port
Transmission Rate	10/100Mbps Auto-detection
Connector	RJ-45
Auto MDI/MDI-X	No
Link Mode	
TCP Server	Up to 4 connections or Virtual Com mode
TCP Client	Single destination
UDP	Single destination
Serial	
Interface	RS-232/422/485 switch selectable
Ports	1-port
Baud Rate	1200bps~230Kbps
Parity	None, Odd, Even, Mark, Space
Data Bits	7, 8
Stop Bits	1, 2
Flow Control	None, Software: Xon/Xoff, Hardware: RTS/CTS
Connector	5-pin 5.08mm terminal block / 8-pin Mini DIN
Protection	15KV ESD
Power	
Input	DC 9 ~ 30V
Consumption	Max. 2.8W
Environment	
Operating	0°C~60°C
Storage	-40° ~ 85°C (-40°~ 185°F), 5 ~ 95%RH
Dimension	
W x H x D	45mm x 91mm x 80mm
Software	
Configuration	Web Page / Telnet / Serial console / Windows utility
Virtual Com	Windows port redirection software
Support Protocol	ICMP, TCP(UDP) / IP, DHCP client, SNMP, SMTP, HTTP, Telnet

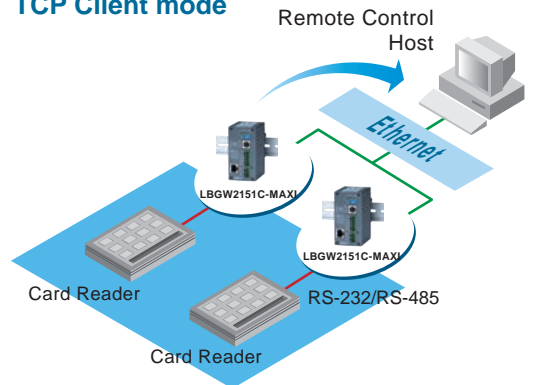
Ordering Information

LBGW2151C-MAXI-WDT 1-port switch selectable RS-232/422/485 (Terminal Block) serial serverity

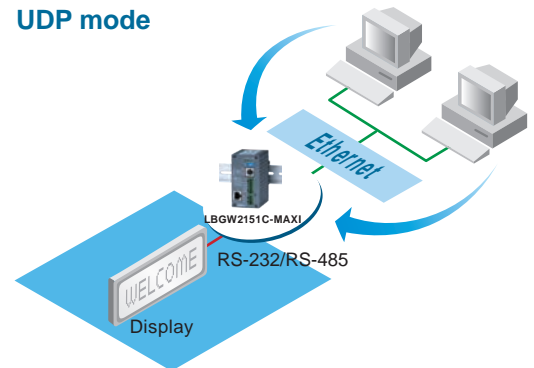
TCP Server Mode



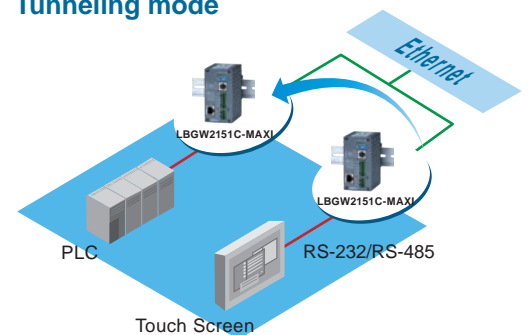
TCP Client mode



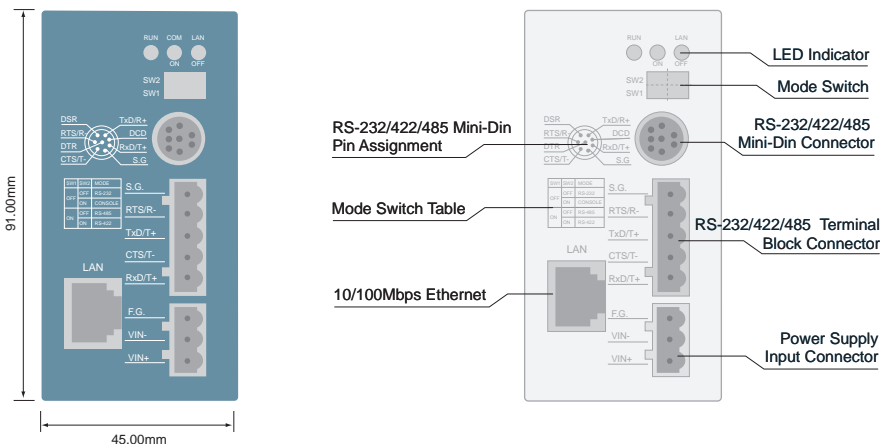
UDP mode



Tunneling mode



LBGW2151C-MAXI Front Panel



info@logicbus.com.mx

www.logicbus.com.mx

Alcalde #1822 Col. Miraflores C.P. 44270 Guadalajara, Jal. Mexico
 MX 01 (33) 3854-5975 y 3823-4349 USA 001 (858)-869-5401 (Chula Vista, CA. Office)