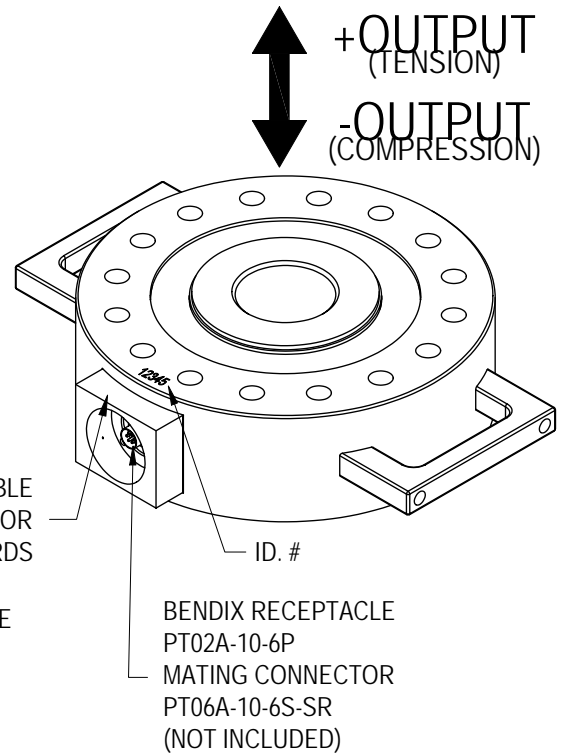
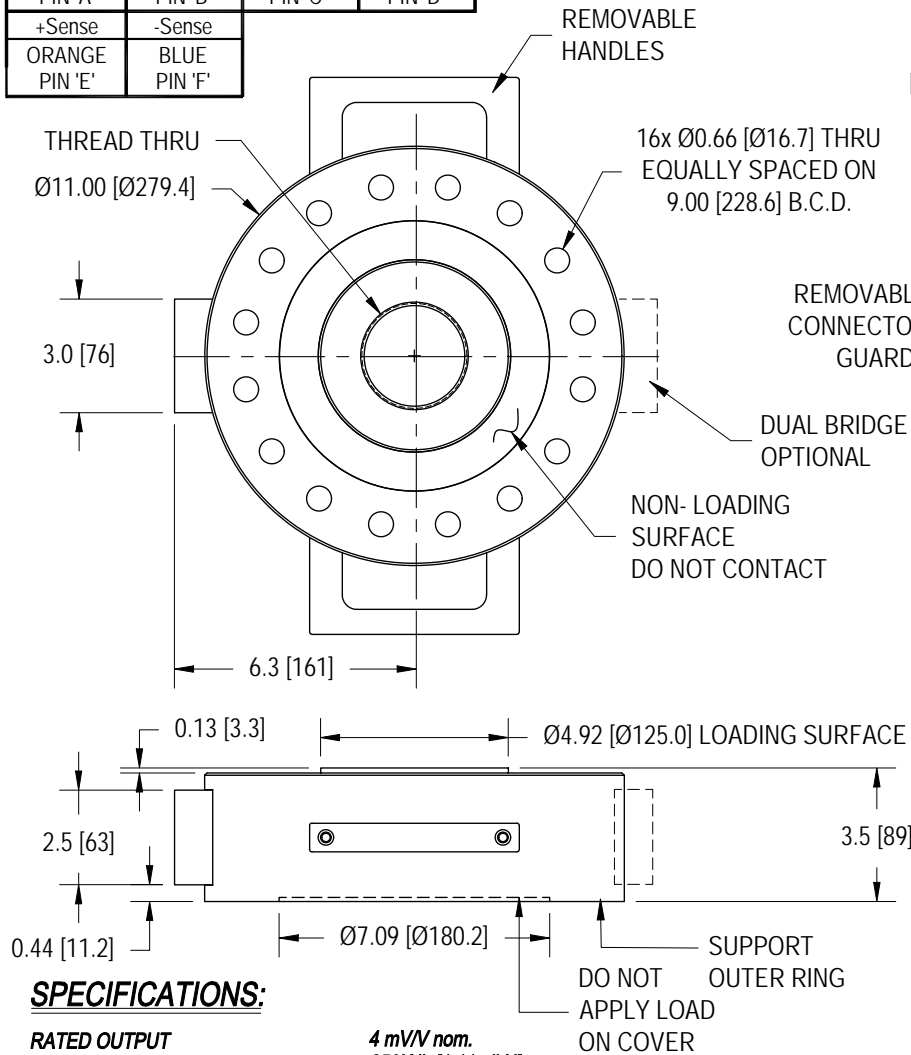


LOW PROFILE UNIVERSAL PANCAKE LOAD CELL
Drawing Number: F11014-B
INCH [mm] | R.O.= Rated Output

WIRING CODE (CC1)			
+Excitation	-Excitation	+Signal	-Signal
RED PIN 'A'	BLACK PIN 'B'	GREEN PIN 'C'	WHITE PIN 'D'
+Sense	-Sense		
ORANGE PIN 'E'	BLUE PIN 'F'		


 REFER TO LCF655 FOR
 TENSION BASE VERSION

SPECIFICATIONS:

RATED OUTPUT	4 mV/V nom.
CAPACITY	250K lb [1.11mil N]
SAFE OVERLOAD	150% of R.O.
ZERO BALANCE	±1% of R.O.
EXCITATION (VDC OR VAC)	20 MAX
BRIDGE RESISTANCE	350 Ω
NONLINEARITY	±0.1% of R.O.
HYSTERESIS	±0.2% of R.O. }
NONREPEATABILITY	±0.02% of R.O.
CREEP	±0.02% of LOAD
TEMP. SHIFT ZERO	±0.001% of R.O./°F [0.0018% of R.O./°C]
TEMP. SHIFT SPAN	±0.002% of LOAD/°F [0.0036% of LOAD/°C]
COMPENSATED TEMP.	60 to 160°F [15 to 72°C]
OPERATING TEMP.	-60 to 200°F [-50 to 93°C]
MATERIAL	17-4PH
WEIGHT	70lb [31.8]
DEFLECTION	0.002 to 0.005 [0.05 to 0.13] nom.
CONNECTOR: 6 Pin BENDIX Receptacle (PT02A-10-6P)	
ACCESSORIES AND RELATED INSTRUMENTS AVAILABLE	
CALIBRATION (STD)	5 pt. COMPRESSION; 30 K Ω SHUNT CAL. VALUE
CALIBRATION TEST EXCITATION	10 VDC

STOCK NO:	THREAD	DUAL BRIDGE
FSH02932	2 3/4 - 8	
FSH02936		X
FSH02933	M 72 x 2	
FSH03040		X

OTHER AVAILABLE RECEPTACLES & MATING CONNECTORS

BENDIX RECEPTACLE (PC04E-10-6P)
 BENDIX MATING CONNECTOR (PC06E-10-6S-SR)
 BENDIX RECEPTACLE (PT02H-10-6P)
 BENDIX MATING CONNECTOR (PT06A-10-6S-SR)