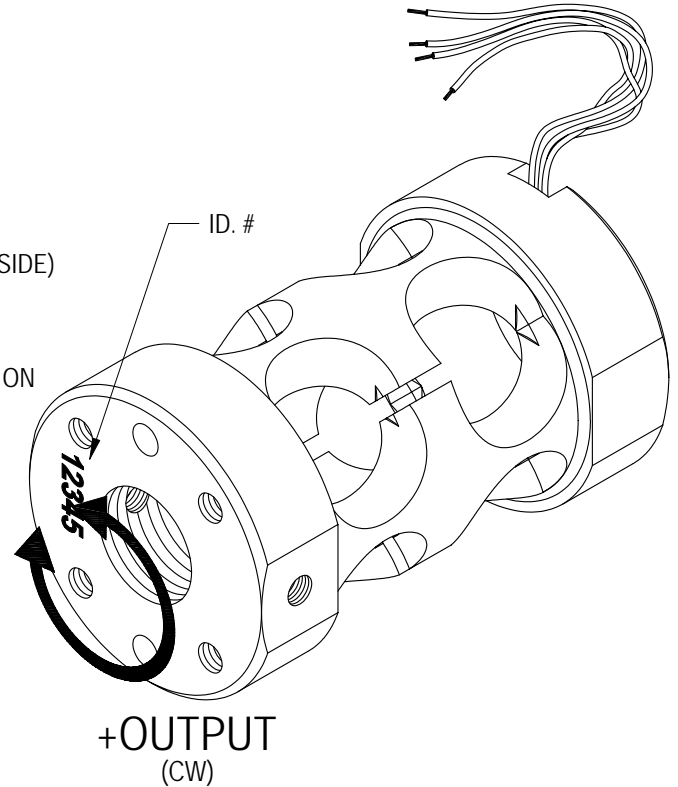
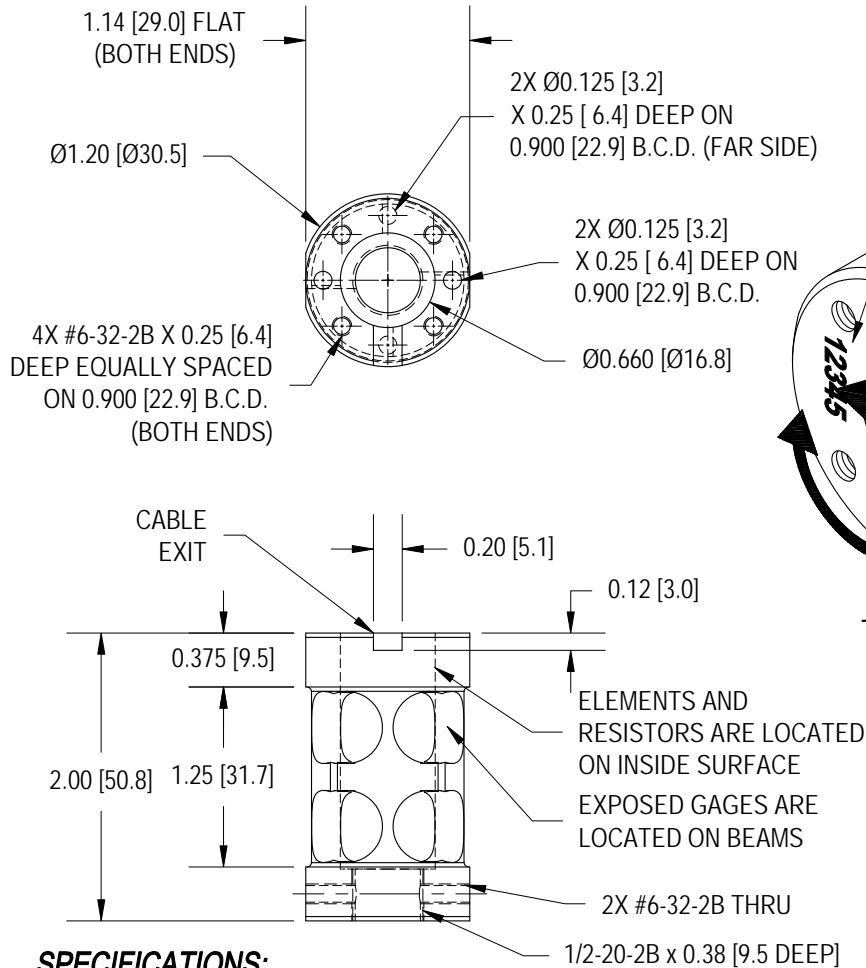


# REACTION TORQUE SENSOR (Previously T5160)

MODEL TFF325

<b>Drawing Number: FI1138</b>			
<b>INCH [mm] R.O.= Rated Output</b>			
WIRING CODE (WC1)			
+Excitation	-Excitation	+Signal	-Signal
RED	BLACK	GREEN	WHITE

**\*\*OEM TYPE PRODUCT (NOT RECOMMENDED FOR END USERS) ALL ELEMENTS ARE EXPOSED WITH LEAD WIRE TERMINATION\*\***



## SPECIFICATIONS:

<b>RATED OUTPUT</b>	2 mV/V nom.
<b>SAFE OVERLOAD</b>	150% of R.O.
<b>ZERO BALANCE</b>	±1% of R.O.
<b>EXCITATION (VDC OR VAC)</b>	18 MAX
<b>BRIDGE RESISTANCE</b>	1000 Ω nom.
<b>NONLINEARITY</b>	±0.2% of R.O.
<b>HYSTERESIS</b>	±0.2% of R.O.
<b>NONREPEATABILITY</b>	±0.05% of R.O.
<b>TEMP. SHIFT ZERO</b>	±0.002% of R.O./°F [0.0036% of R.O./°C]
<b>TEMP. SHIFT SPAN</b>	±0.002% of LOAD/°F [0.0036% of LOAD/°C]
<b>COMPENSATED TEMP. OPERATING TEMP.</b>	60 to 160°F [15 to 72°C]
<b>WEIGHT</b>	-60 to 200°F [-50 to 93°C]
<b>MATERIAL</b>	2.3 oz [65 g]
<b>CABLE: #29 AWG, 4 Conductor, Spiral Teflon Cable 6 [152.4] Long</b>	ALUMINUM
<b>ACCESSORIES AND RELATED INSTRUMENTS AVAILABLE</b>	
<b>CALIBRATION (STD)</b>	2 pt. CW; 150KΩ SHUNT CAL. VALUE
<b>CALIBRATION (OPT)</b>	2pt. CCW
<b>CALIBRATION TEST EXCITATION</b>	10 VDC

STK#	CAPACITY		TORSIONAL STIFFNESS
	in-oz	Nm	in-oz/rad
FSH00605	20	0.12	800
FSH00606	50	0.30	3300
FSH00607	12 in-lb	1.5	1000 in-lb/rad
FSH00608	50 in-lb	6	9400 in-lb/rad
FSH00609	100 in-lb	12	13200 in-lb/rad

MCP00558 OPTIONAL SQUARE ADAPTER

**MATERIAL: Aluminum, Black Anodized**

