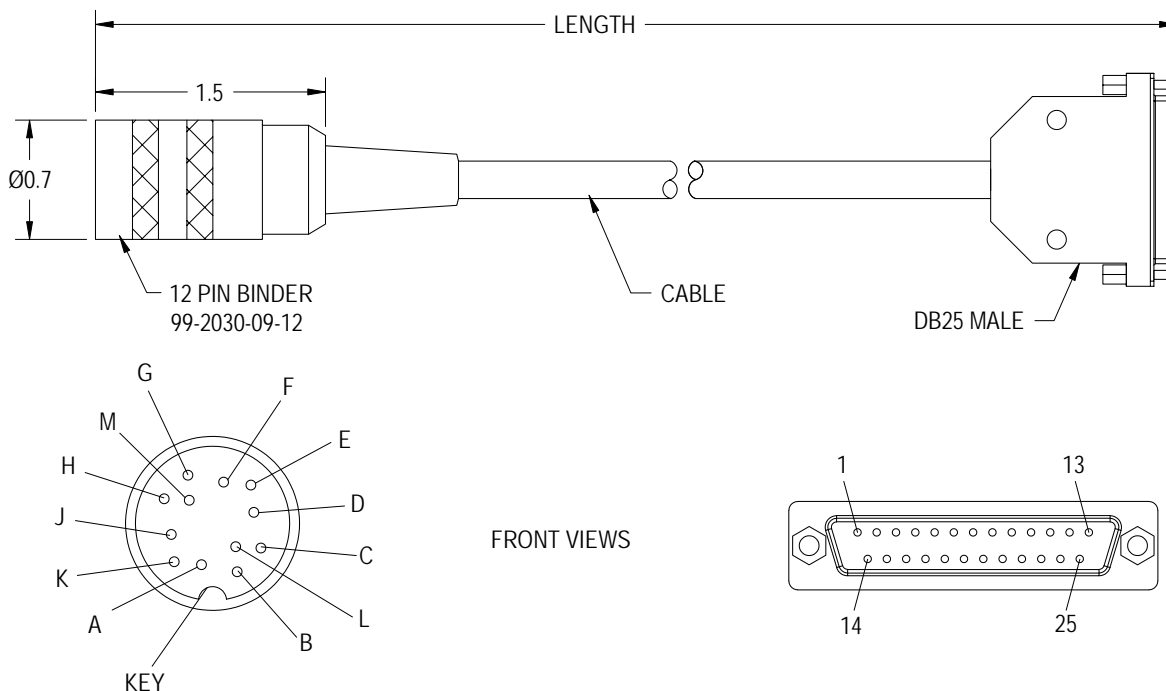


Drawing Number: FI1201



BINDER PIN OUT	DB25 PIN OUT	Color Code	WIRING CODE
A	22	YELLOW	GND (Shunt Cal)
B	18	BLUE	Signal (Angle 1)
C	4	GREEN	Signal (Torque)
D	17	WHITE	GND (Torque)
E	24	BLACK	GND (Sensor, Angle)
F	13	RED	Power (Sensor)
G	19	BROWN	Signal (Angle 2)
H	7	ORANGE	Power (Angle)
J	-	-	No Connection
K	12	PURPLE	Power (Shunt Cal)
L	-	-	No Connection
M	25	-	Shield

STOCK #	LENGTH	CABLE
FSH02475	5 ft	30 AWG, 10 Conductor Braided Shielded Polyurethane
FSH02472	10 ft	
FSH02476	20 ft	
FSH02477	30 ft	
FSH02478	50 ft	
FSH02479	100 ft	