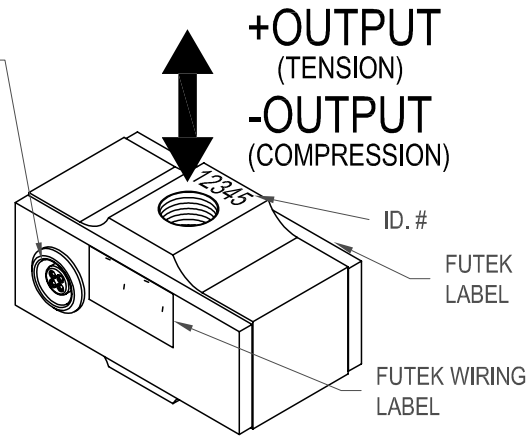
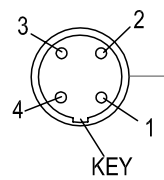
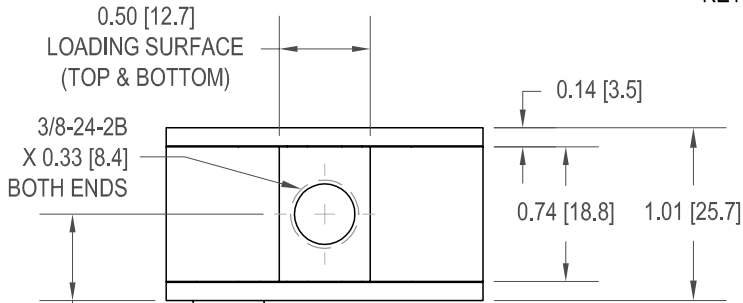
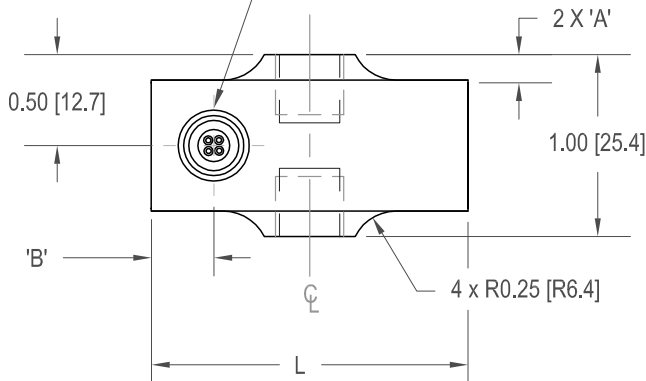


LOW PROFILE TENSION AND COMPRESSION LOAD CELL

Drawing Number: FI1070-B			
INCH [mm]		R.O.= Rated Output	
CONNECTOR CODE (CC4)			
+Excitation	-Excitation	+Signal	-Signal
1 RED	4 BLACK	2 GREEN	3 WHITE



LEMO RECEPTACLE
EGG.OB.304.CLL
MATING CONNECTOR
FGG.OB.304.CLAD35
(NOT INCLUDED)



STK#	CAPACITY		A	B	L	MATERIAL	CABLE OPTION
	lb	N					
FSH00083	150	667	0.16 [4.1]	0.35 [8.9]	1.74 [44.2]	ALUMINUM 2 oz [57 g]	
FSH00077							X
FSH00084	200	890	0.14 [3.6]	0.36 [9.1]			
FSH00078							X
FSH00085	300	1334	0.12 [3.0]	0.39 [9.9]			
FSH00079					X		
FSH00086	500	2224	0.16 [4.1]	0.34 [8.6]	1.70 [43.2]	174PH S.S. 5 oz [142 g]	
FSH00080							X
FSH00087	750	3336	0.14 [3.6]	0.36 [9.1]			
FSH00081							X
FSH00088	1000	4450	0.11 [2.8]	0.39 [9.9]			
FSH00082					X		

SPECIFICATIONS:

RATED OUTPUT	2 mV/V nom.
SAFE OVERLOAD	150% of R.O.
ZERO BALANCE	±1% of R.O.
EXCITATION (VDC OR VAC)	18 MAX
BRIDGE RESISTANCE	350 Ω nom.
NONLINEARITY	±0.1% of R.O.
HYSTERESIS	±0.1% of R.O.
NONREPEATABILITY	±0.05% of R.O.
CREEP	±0.05% of LOAD
TEMP. SHIFT ZERO	±0.005% of R.O./°F [0.01% of R.O./°C]
TEMP. SHIFT SPAN	±0.005% of LOAD/°F [0.01% of LOAD/°C]
COMPENSATED TEMP.	60 to 160°F [15 to 72°C]
OPERATING TEMP.	-60 to 200°F [-50 to 93°C]
MATERIAL	SEE CHART
DEFLECTION	0.002[0.05] nom.
CONNECTOR:	LEMO 4 Pin Receptacle (EGG.OB.304.CLL)
CABLE:	#28 AWG, 4 Conductor, Spiral Shielded Clear PVC Cable 10 ft [3 m] Long
ACCESSORIES AND RELATED INSTRUMENTS AVAILABLE	
CALIBRATION (STD)	5 pt. TENSION; 60.4 KΩ SHUNT CAL. VALUE
CALIBRATION (AVAILABLE)	COMPRESSION
CALIBRATION TEST EXCITATION	10 VDC

