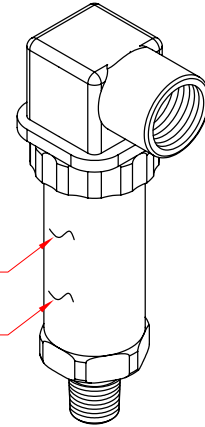
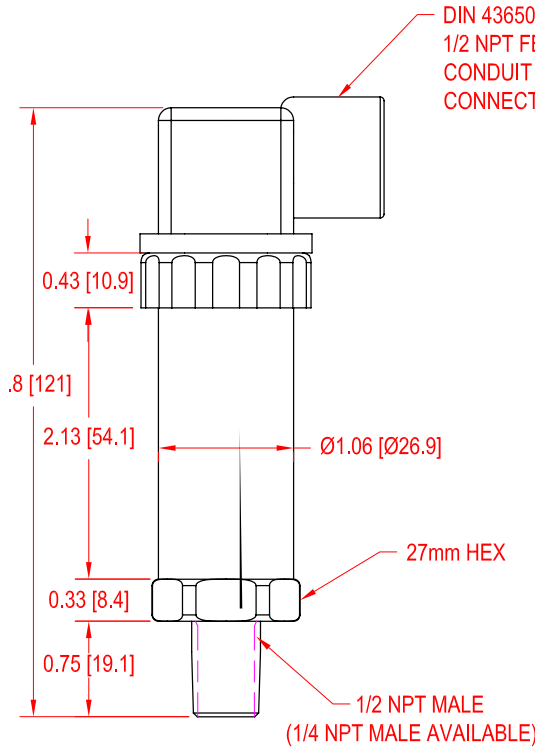


Drawing Number: FI1302-A			
INCH [mm]		R.O.= Rated Output	
WIRING/CONNECTOR CODE CURRENT			
+Excitation	+Signal	N/C	
PIN 1 (RED)	PIN 2 (GREEN)	PIN 3	



### SPECIFICATIONS:

RATED OUTPUT	4-20 mA
CAPACITY	See Chart
MAXIMUM PRESSURE	See Chart
BURST PRESSURE	See Chart
EXCITATION	10-30 VDC
MAXIMUM LOAD (Ohm)	(Excitation - 10V) / 0.02A
ACCURACY	±0.25% of R.O. (BFSL)
NONLINEARITY	±0.2% of R.O. (BFSL) ; ±0.4% of R.O. (End Point)
HYSTERESIS	±0.15% of R.O.
NON-REPEATABILITY	±0.05% of R.O.
RESPONSE TIME	≤ 1ms
TEMP. SHIFT ZERO	± 0.011% of R.O./°F (0.02% of R.O./°C)
TEMP. SHIFT SPAN	± 0.011% of LOAD/°F (0.02% of LOAD/°C)
COMPENSATED TEMP.	32 to 176°F (0 to 80°C)
OPERATING TEMP. (MEDIUM)	-4 to 176°F (-20 to 80°C)
OPERATING TEMP. (MEDIUM) (OPTIONAL)	-40 to 302°F (-40 to 150°C) / -40 to 392°F (-40 to 200°C)
OPERATING TEMP. (BODY)	-4 to 176°F (-20 to 80°C)
STORAGE TEMP.	-40 to 221°F (-40 to 105°C)
WEIGHT	Approx. 7.2 oz
MATERIAL (BODY/WETTED PARTS)	Stainless Steel
Ⓢ - PROTECTION	Categories 1G, 1/2G, 2G, 1D, 1/2D, 2D, M1, M2 ATEX
IGNITION PROTECTION TYPE	EEx ia I/II C T4, EEx ia I/II C T5, EEx ia I/II C T6
Ⓢ - PROTECTION	Class I, II, AND III FM, CSA
IGNITION PROTECTION TYPE	Intrinsically safe Class I, II, III Division 1, Groups A, B, C, D, E, F, G and Classic I, Zone 0 AEx ia II C
CE CONFORMITY	89/336/EWG Interference Emission and Immunity (EN 61 326) Interference Emission Limit Class A & B, (EN 50 020)
SHOCK RESISTANCE	1000g (IEC 60068-2-27)
VIBRATION RESISTANCE	20g (IEC 60068-2-6)
WIRING PROTECTION	Reverse Polarity, and Short Circuit
CONNECTOR: DIN EN 175301-803 (DIN 43 650) w/ Plug Connector	
CALIBRATION	CERTIFICATE OF CONFORMANCE INCLUDED NIST TRACEABLE 5 pt. CALIBRATION AVAILABLE

GAUGE / RELATIVE RANGES		
CAPACITY PSI	MAX PSI	BURST PSI
50 in. H2O	15	29
5	29	35
10	58	69
25	145	170
60	240	290
100	500	600
300	1160	1390
500	1160	5800
1000	1740	7970
2000	4600	14500
3000	7200	17400
5000	11600	24650
10000	17400	34800

ABSOLUTE RANGES		
CAPACITY PSIA	MAX PSI	BURST PSI
15	58	69
25	145	170
50	240	290
100	500	600
250	1160	1390