

PMP920 SERIES

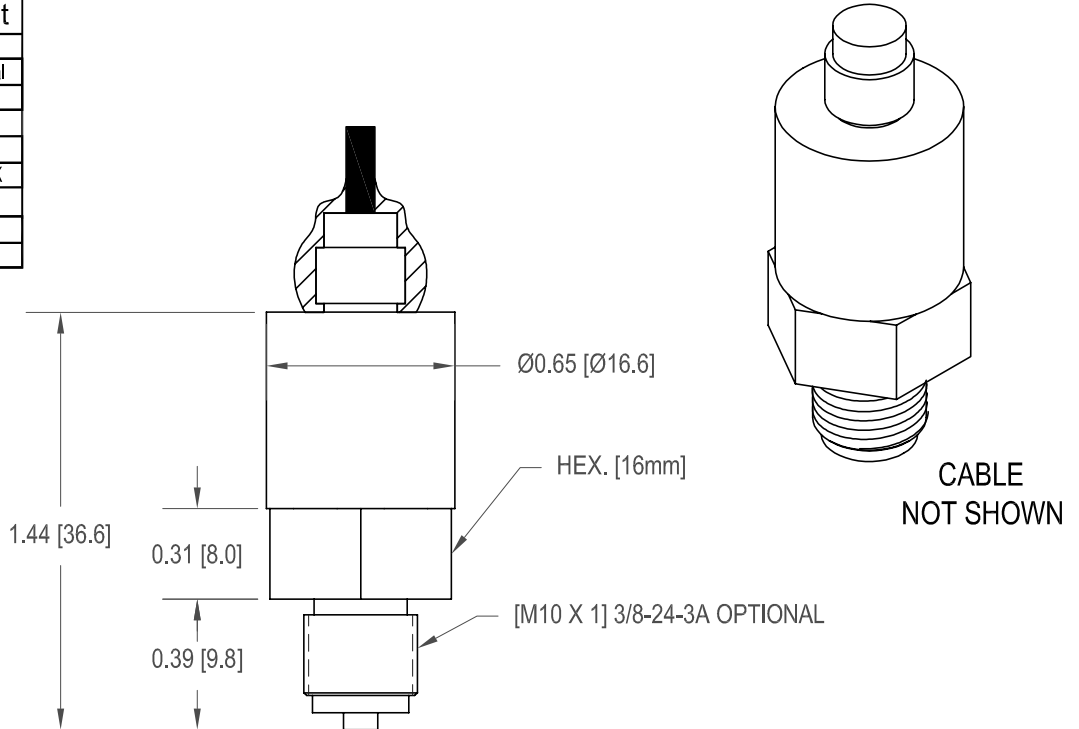
MINIATURE PRESSURE SENSOR

(Previously P920 series)

CE COMPLIANT

Drawing Number: FI1163-C			
INCH [mm]		R.O.= Rated Output	
PMP921 WIRING CODE (WC1)			
+Excitation	-Excitation	+Signal	-Signal
RED	BLUE OR BLACK	GREEN OR YELLOW	WHITE
PMP923/924 WIRING CODE (WC5)			
+Excitation	+Signal	COMMON	
RED	GREEN OR YELLOW	BLUE OR BLACK	
PMP925 WIRING CODE (WC6)			
+Excitation	+Signal		
RED	GREEN OR YELLOW		

- THIN FILM TECHNOLOGY
- COMPATIBLE WITH MOST FLUIDS
- HIGH ACCURACY
- mV/V, 5V, 4-20 mA, 5V RATIO METRIC
- AVAILABLE IN ABSOLUTE
- HIGH TEMPERATURE OPTION



SPECIFICATIONS	MODEL PMP921	MODEL PMP923	MODEL PMP924	MODEL PMP925
RATED OUTPUT	1 to 2 mV/V* ± 1% R.O.	4.5 V ± 0.05	5 V ± 0.05	20 mA ± 0.1
ZERO BALANCE	0 mV ± 3% R.O.	0.5 V ± 0.05	0 V ± 0.05	4 mA ± 0.1
EXCITATION	5-15 VDC	5 VDC	9.5 to 27 VDC	12 to 27 VDC

*DEPENDING ON CAPACITY

TECHNICAL SPECIFICATIONS:

(REFERENCE CONDITION: 20°C)

CAPACITY: (PSI / BAR) $\left(\frac{7}{0.5} \right) \left(\frac{14}{1} \right) \left(\frac{29}{2} \right) \left(\frac{-14 \text{ to } 43}{-1 \text{ to } 3} \right) \left(\frac{43}{3} \right) \left(\frac{72}{5} \right) \left(\frac{145}{10} \right)$
 $\left(\frac{290}{20} \right) \left(\frac{580}{40} \right) \left(\frac{1450}{100} \right) \left(\frac{3626}{250} \right) \left(\frac{5801}{400} \right) \left(\frac{8702}{600} \right)$
 LOWER CAPACITY AVAILABLE. CONTACT FACTORY.

PERFORMANCE:

RATED OUTPUT:	SEE CHART
SAFE OVERLOAD:	150% of R.O.
BURST PRESSURE:	300% of R.O.
ZERO BALANCE:	SEE CHART
EXCITATION(VDC)	SEE CHART
COMBINED NONLIN. & HYSTERESIS	< ±0.25% of R.O.
NONREPEATABILITY	± 0.05% of R.O.
RESPONSE TIME	<= 1ms
INSULATION RESISTANCE	> 1000 Mohms @ 50Vdc and 20°C
CALIBRATION	CERTIFICATE OF CONFORMANCE INCLUDED NIST TRACEABLE 5 pt. CALIBRATION AVAILABLE

MECHANICAL SPECIFICATION:

WEIGHT:	< 50g
WETTED/ BODY MATERIAL:	STAINLESS STEEL
ENCLOSURE PROTECTION:	NEMA 4 (IP 65)
ELECTRICAL CONNECTION:	4 CONDUCTOR, SHIELDED PVC CABLE, 3 ft [1 m] LONG
CAVITY VOL.	<130mm ³

ENVIRONMENTAL :

BRIDGE RESISTANCE:	3500 OHMS ± 20% (PMP921 only)
OPERATING TEMPERATURE	-40 to 257°F [-40 to 125°C]
COMPENSATED TEMPERATURE	32 to 140°F [0 to 60°C]
SHOCK:	100 G'S 1/2 SINUSOIDAL - 1ms
VIBRATION:	±0.02% R.O./G (20-2000 Hz, 50G'S max)
TEMP. SHIFT ZERO } TEMP. SHIFT SPAN }	±0.01% of R.O./°F [0.02% of R.O./°C] MAX
EMR/RFI:	EN61000