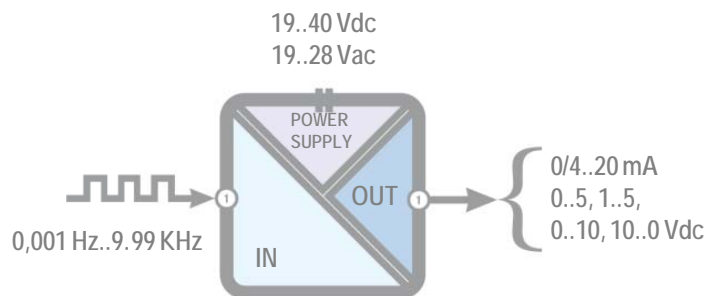


Z111

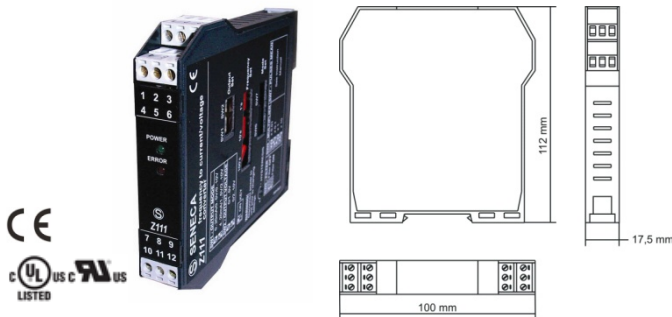
Frequency to DC Current / Voltage isolator/converter



- ▶ INPUT: Pulses: mechanical contact, reed , npn with 2 and 3 wires , pnp with 3 wires and 24V DC power supply, Namur, photoelectric, "HALL" sensor, and variable reluctance.
- ▶ Range of frequency: from 0,001 Hz to 9.99 KHz
- ▶ OUTPUT: current 0..20, 4..20 mA; voltage 0..5, 1..5, 0..10, 2..10 Vdc
- ▶ ACCURACY: 0,3%
- ▶ Galvanic isolation @ 3-way
- ▶ Screw-fit terminals removable
- ▶ Din rail mounting
- ▶ Power supply: 19..40 Vdc, 19..28 Vac

TECHNICAL DATA

Z111 – Frequency DC Current Voltage converter



ORDER CODE

Z111 Frequency to DC isolator / converter, 19..40Vdc, 19..28 Vac

SIMILAR PRODUCTS

- K111 Isolated dual output frequency trip amplifier
- K112 Universal digital coupler/isolator
- Z104 DC to frequency isolator / converter
- S104 DC to frequency isolator - converter
- S111 Frequency to DC isolator - converter

GENERAL FEATURES

Power supply	19..40Vdc, 19..28 Vac
Channels	Nr 1 input / Nr 1 output
Accuracy	< 0,3% of full scale
Status indicators	- Power - Off scale
Galvanic Isolation	Power supply // input // output at 1500 Vac, digital
Hot swapping	Yes
Power consumption	2,5 W
Max frequency	9,99 KHz
Protections	Surges: 400W/ms. Loop supply short-circuit protected
Protection for inputs	Except current: 60V continuous; current 200mA continuous
IP Protection	IP 20
Humidity	30..90% a +40°C (not condensing)

Design	Terminal housing for mounting on 35 mm DIN 46277
Data memory	EEPROM for all configuration data; storage time: 10 years
DIP Switch	- Inputs signal setup - Output signal setup
Enclosure	"V0" self-extinguishing glass filled nylon case
Dimensions	17,5 x 100 x 112 mm (w x h x d)
Weight	140 g
Operating temperature	0..50 °C
Connections	Plug-in screw clamp terminal blocks, wires up to 2.5 mm ²
Mounting	35 mm DIN 46277
Standards	EN50081-2 EN50082-2 EN61010-1
Approvals	CE, UL-CSA

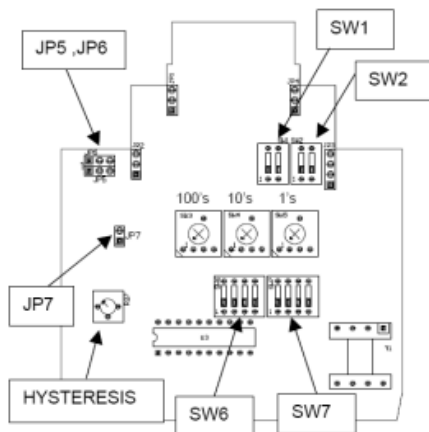
INPUT

Type Pulses: mechanical contact, reed , npn with 2 and 3 wires , npn with 3 wires and 24V DC power supply, Namur, photoelectric, "HALL" sensor, and variable reluctance. Frequency from 0,001 Hz to 9.99 KHz

OUTPUT

Type Current: 0..20 mA, 4..20 mA, 20..0 mA e 20..4 mA
Higher load resistance: 600 Ohm
Voltage: 0..5 Vdc, 1..5 Vdc, 0..10 Vdc and 10..0 Vdc
Lower load resistance: 2,5 KOhm

CIRCUIT DIAGRAM



APPLICATION EXAMPLE

