

# Humidity/Temperature Transmitter

## LBTRH-25300

LBTRH-25300series transmitters are designed for accurate relative humidity and temperature measurement, their electrical signal outputs are used for monitoring, control or process applications, with voltage outputs. There are available as wall, mounting versions, and housing suitable with Watertight enclosure for wet, harsh environments.

### Features

- fast, stable and accurate.
- Watertight enclosure.
- Compact size, Easy mounting.
- Excellent Long-term stability.
- Wide input voltage range.
- Available with voltage output.
- On-site, Two point calibration.



### Model No:

### LBTRH-25302 Temperature and Humidity Transmitter

### Specifications

Measurement Range	0 ~ 100% RH 0 ~ 100°C (-5 ~ +50°C, -20 ~ +80°C, 0 ~ 50°C, -40 ~ +60°C available)
Accuracy (At 25°C)	±2 % RH, ±0.2°C (※Power supply = 24VDC)
Long-term stability	Better than 1% RH per year (Typical)
Temp. Compensation	± 0.008%RH/°C (Effect @ 0 %RH)
Response	<15 seconds (90 % at +25°C in moving air over 0.5 M/S)
Sensors	Humidity: Thin-film capacitor Temperature: RTD Pt 100A/B · Pt 1000A/B IEC 751, DIN43760
Output	Voltage output : 0 to 1V, 0 to 5V, 0 to 10V or 1 to 5V, Selectable ※Other scales possible upon request.
Fine adjustment	Zero and Span adjustable by separated potentiometer.
Power Supply	12 ~ 40V DC
Housing / Protection	ABS plastic watertight enclosure (IP 65)
Cable gland	Liquid-tight nylon, cable Bushing: φ 5-10mm
Ambient Temperature	-40 ~ +85°C (-40 ~ +185°F)
Weight	Approx. 150g

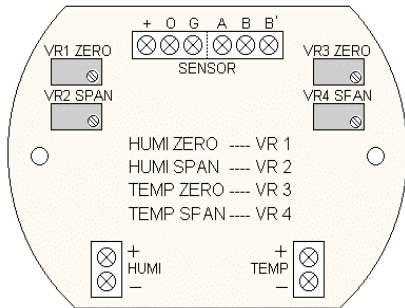
※Specifications are subject to change without notice.

# HUMIDITY / TEMPERATURE TRANSMITTER

## ORDERING INFORMATION

MODEL NO.	DESCRIPTIONS		
<b>LBTRH-25302</b>	Humidity / Temperature Transmitter		
SHAPE (Mounting)	<b>W</b>	Wall mount Type	
Output	<b>V</b>	Voltage output	

## ON-SITE CALIBRATION & WIRING



### Humidity Calibration:

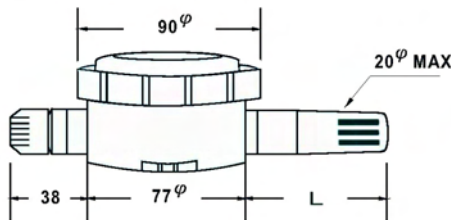
VR 1 .....ZERO Humidity  
 VR 2 .....SPAN Humidity

### Temperature Calibration:

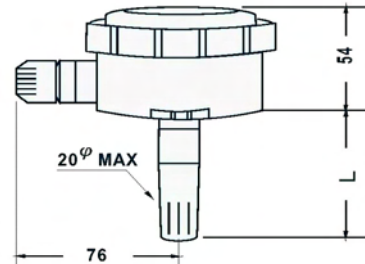
VR 3 .....ZERO Temperature  
 VR 4 .....SPAN Temperature

## EXTERNAL DIMENSIONS (mm)

Wall mount type



Duct mount type



## CONNECTING DIAGRAM

Voltage output type

