

Features

- Supports Intel® Pentium® 4 / Pentium® 4-M / Celeron® CPU up to 2.8 GHz
- Supports Intel® 845GV + ICH4 Chipset
- High precision touchscreen
- Aluminum IP65 compliant front bezel
- Built-in digital I/O (8 x input / 8 x output) & Gigabit LAN
- CompactFlash / Disk On Module™ support
- 3 expansion slots (1 x PCI or 1 x ISA / 3 x PCI or 3 x ISA optional)
- Optional slim FDD / slim CD-ROM drive
- 2005 Taiwan Symbol of Excellence winner

Specifications

System

CPU Type	Intel® Pentium® 4 / Pentium® 4-M (Prescott) / Celeron® Up to 2.8GHz
Memory Support	1 x DIMM, DDR333 memory up to 1GB max.
Front Bezel	Aluminum
IP65 / NEMA4	Yes
Power Supply	AC 200W power supply
O.S. Support	Windows XP, Linux Redhat 8.0/9.0
Dimension (W x H x D)	400 x 300 x 104 mm (15.6" x 11.7" x 4.09")
System Weight	9.5 kg (21.38lb)
VESA Mounting Support	75 mm / 100 mm VESA bracket (optional)
Certificate	FCC / CE / LVD / UL

I/O Ports

USB	2 x USB 2.0
Keyboard / Mouse	2 x PS/2 port
Audio	Line in / Line out / MIC in (Realtek ALC202)
Parallel Port	1 x parallel port (SPP / EPP / ECP)
Serial Port	4 x COM (pin 9 support +5V or +12V), COM 2 for RS232/422/485
Digital I/O	8 DI / 8 DO
LAN	1 x 10/100/1000 Mbps (Intel® 82541)
VGA	1 x VGA
Brightness Control	VR on rear panel
Drive Bay	1 x 3.5" PATA HDD, 1 x slim CD, 1 x slim FDD, 1 x DOC (build-in riser card)
Expansion Slots	1 x PCI or 1 x ISA / 3 x PCI or 3 x ISA (optional)

Display

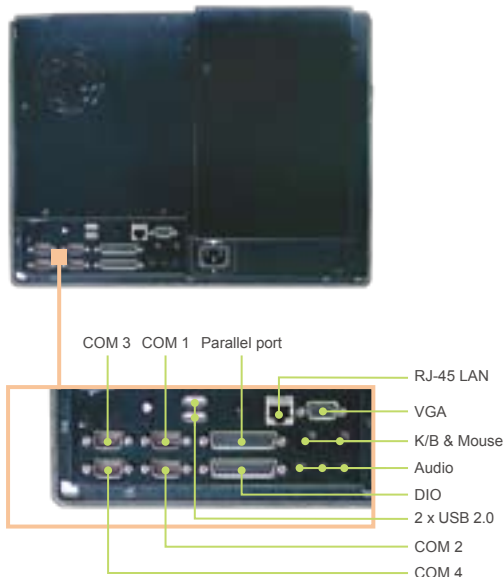
LCD	AUO 15" XGA TFT LCD (refer p.69 for detail)
Touch Screen	7W Analog resistive (USB interface)

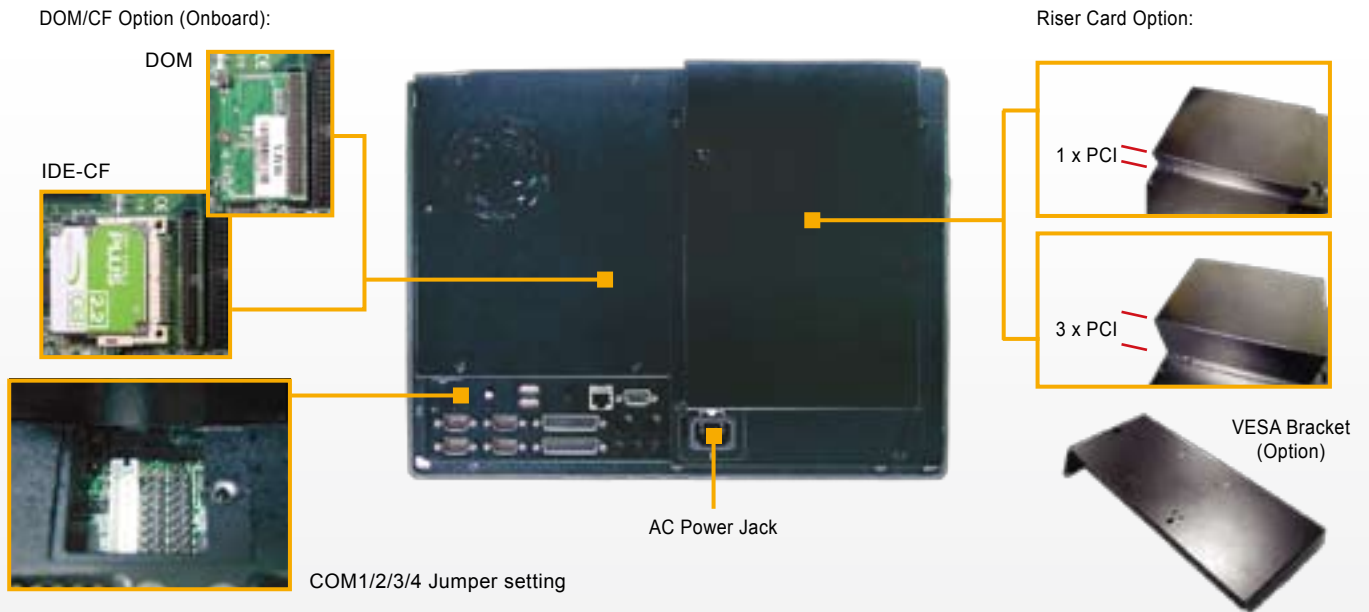
Environment

Operation Temp.	0° ~ 40° C (32° ~ 104° F)
Storage Temp.	- 20° ~ 60° C (- 4° ~ 140° F)
Humidity	20% ~ 90%



I/O Panel View





Ordering Information

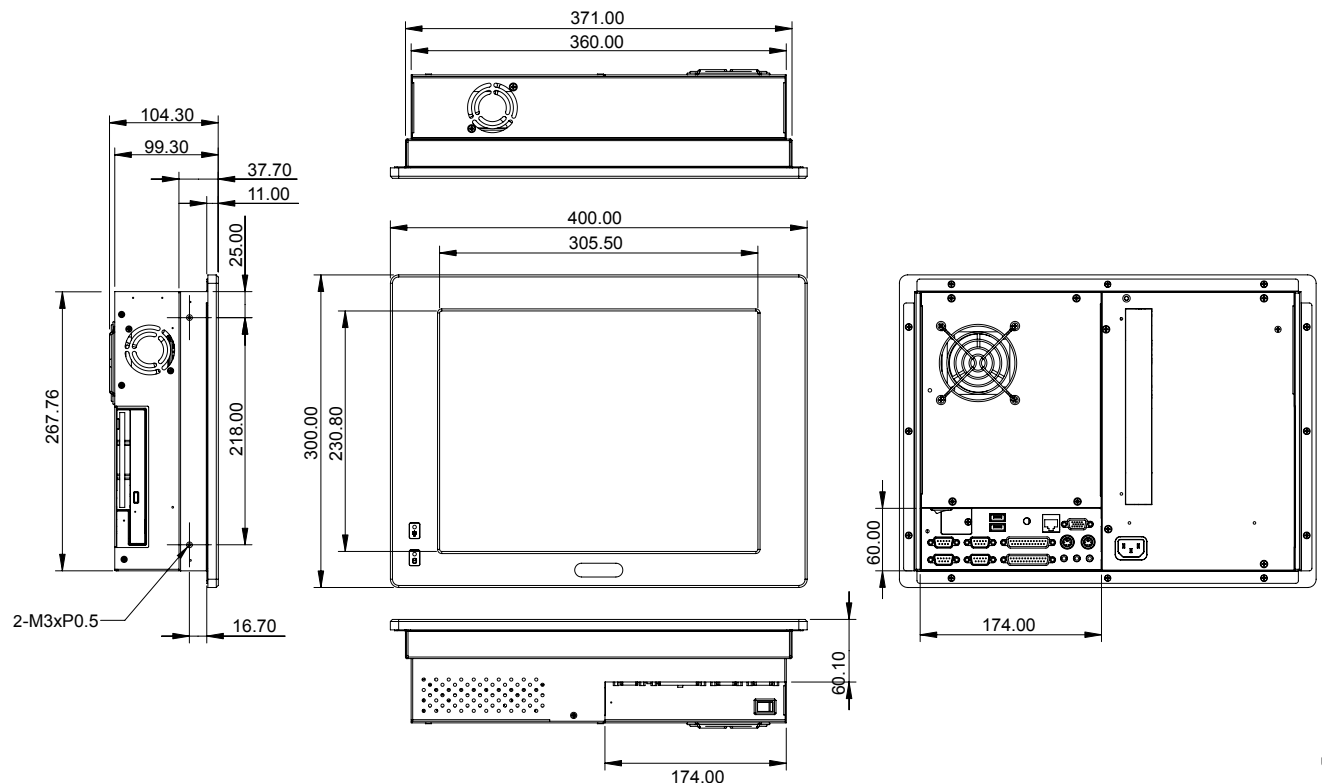
Order No	Description
LBPPC-557405-P4	Panel PC with 15" LCD strong glass, S478 Pentium® 4 CPU board, 80 GB, 1 GB RAM, AC power supply
LBPPC-557405-P4-D	LBPPC-557405-P4 with Combo DVD
LBPPC-557405-P4-W	LBPPC-557405-P4 with Windows XP Pro
LBPPC-557405-P4-DW	LBPPC-557405-P4 with Combo DVD & Windows XP Pro

'T' indicates touch screen for ex.: LBPPC-557405T-P4-D is LBPPC-557405-P4-D w/ touchscreen

Applications

- Factory Automation

Dimensions



Unit: mm

info@logicbus.com.mx

www.logicbus.com.mx

Alcalde #1822 Col. Miraflores C.P. 44270 Guadalajara, Jal. Mexico
 MX 01 (33) 3854-5975 y 3823-4349 USA 001 (619)-884-94-93 (San Diego, CA. Office)