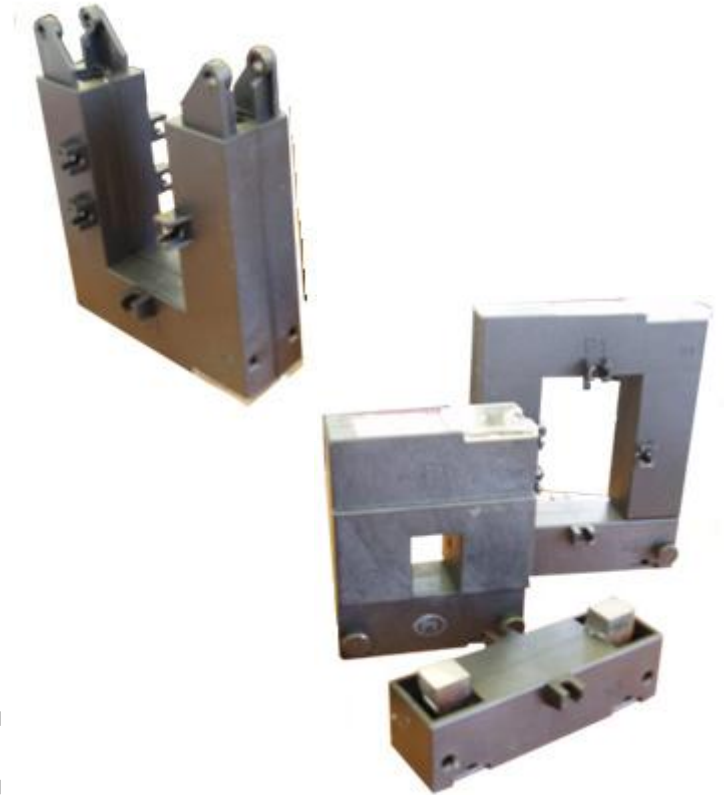


DESCRIPTION

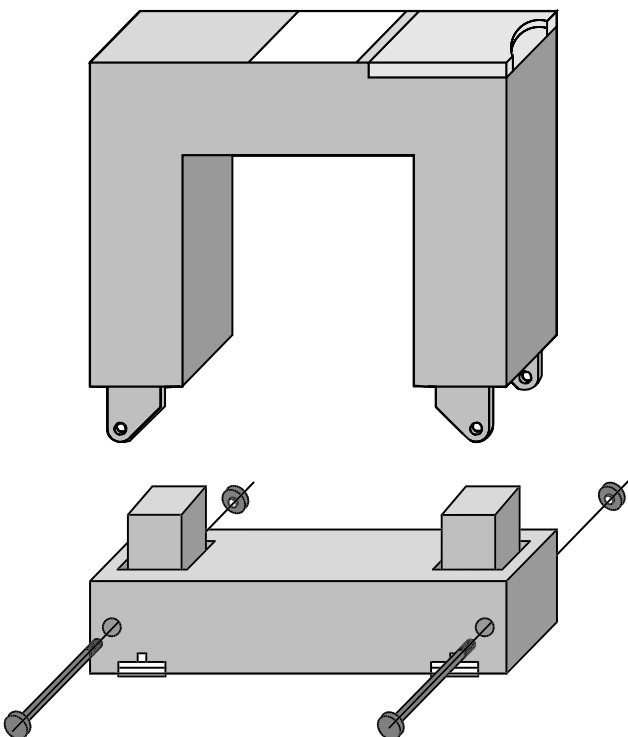
A range of moulded case Split-core Current Transformers, with in-built terminal covers. Primary ranges available up to 5000A with 5A secondary as standard.

APPLICATION

The HOBUT range of Split-core Current Transformers has been designed to meet the growing demand for installation into existing networks. The split-core allows installation without disconnecting cables or busbar circuits. The products are ideal for retro-fitting and are therefore popular in the Energy Management and Power Factor Correction industries .



SPECIFICATIONS



Highest voltage use (U_m):	0.72kV ac
Rated insulation level:	3/-kV
Frequency response:	Linear 50....60Hz
Rated short time thermal current (I_{th}):	20/n
Rated dynamic current (I_{dyn}):	2.5 I_{th}
Working Temperature:	-10 to +50°C
Moulding:	Self extinguishing to UL94V0
Standards:	IEC185, UME21, 088-1, UL94, VDE 0414
Accessories:	Supplied with feet for base mounting if required

80 SERIES SPLIT-CORE CURRENT TRANSFORMERS

RANGE

Type	Primary Current (A)	Class 0.5	Class 1	Class 3	Internal Diameter (mm)
		VA	VA	VA	
CTS80-1	100	-	-	1.5	20 x 30
	150	-	-	2	
	200	-	1.5	2.5	
	250	-	2	4	
	300	1.5	4	6	
CTS80-2	400	2.5	6	10	50 x 80
	250	1	2	4	
	300	1.5	3	6	
	400	1.5	3	10	
	500	2.5	5	15	
	600	2.5	5	17.5	
	750	3	6	18	
CTS80-3	800	3	7	18	80 x 80
	1000	5	10	20	
	250	1	2	4	
	300	1.5	3	6	
	400	1.5	3	10	
	500	2.5	5	15	
	600	2.5	5	17.5	
CTS80-4	750	3	6	18	80 x 120
	800	3	7	18	
	1000	5	9	20	
	1200	6	11	24	
	1250	7	15	28	
	1500	8	17	30	
	CTS80-5	1000	10	15	
1500		15	20	25	
2000		15	20	25	
2500		15	20	25	
3000		20	25	30	
4000		20	25	30	
	5000	20	25	30	

DESIGN

The 80 Series Split-core Current Transformers are of moulded case construction, supplied complete with in-built terminal cover.

The range features a unique safety design allowing installation of CT and connection to terminals without operation. The CT will only operate after the security connectors are unscrewed.

ACCURACY / BURDEN

Each Split-core Current Transformer is supplied for use with various class accuracies and burdens.

For example, Type CTS80-1, 400/5 is suitable for:

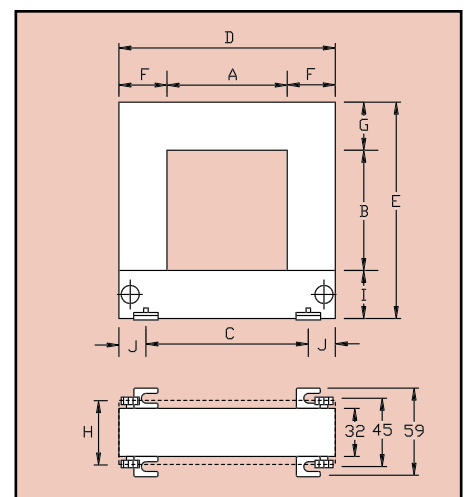
- 0.5% accuracy up to 2.5VA
- 1% accuracy up to 6VA
- 3% accuracy up to 10VA

ORDER EXAMPLE

A Split-core Current Transformer Type CTS80-1 with a ratio of 400/5 is part number "CTS80-1, 400/5". There is no need to specify accuracy or VA on your order for reasons outlined above.

DIMENSIONS (mm)

Type	A	B	C	D	E	F	G	H	I	J	Weight
CTS80-1	20	30	51	89	110	34	47	40	33	18	0.75kg
CTS80-2	50	80	78	114	145	32	32	-	33	18	0.90kg
CTS80-3	80	80	108	144	145	32	32	-	33	18	1.00kg
CTS80-4	80	120	108	144	185	32	32	-	33	18	1.20kg
CTS80-5	80	160	120	184	245	52	47	52	38	32	3.50kg



Our policy is one of continuous development and therefore specifications may change without notice.

info@logicbus.com.mx

www.logicbus.com.mx

Alcalde #1822 Col. Miraflores C.P. 44270 Guadalajara, Jal. Mexico
 MX 01 (33) 3854-5975 y 3823-4349 USA 001 (619)-884-94-93 (San Diego, CA. Office)