



¡ Tu Sitio de Automatización !

12 Point SR Machine Series

Super Relay Intelligent Controller

This intelligent controller, adopting function block programming, having large programming capacity, being freely programmed according to different users and different fields, can run at your desired time table and the RTC accuracy can reach second and makes your time control more accurate. And 128 time sessions can be set mostly, especially suitable for time-control system. Safety password function makes your program absolutely safe. Before writing program, password can be set. And only after entering the correct password, the program can be modified.

It is equipped with a removable, convenient and programmable LCD, providing 64 friendly human-machine interfaces, 32 virtual keys, having the function to display the alarming message and parameter and to modif. the parameter. When needed, it can be installed. And when not needed, it can be removed and replaced with an ordinary front panel. Thus the cost will be greatly reduced.

The input can receive not only the digital input but also the analogue input to perform the control and transmission of the temperature, moisture, pressure, flow level unit and so on. It has well-featured and compact design with 8 point input and 4 point output. Equipped with expansion module, it can be expanded into 72 I/O better, and to MAX 112 I/O. It can be connected with telephone voice module and remote control module to perform the notification and alarming function.

And the connection between the host and the module can be Bridge SR-CBA or flexible connection SR-ECBA.

The function is safer and superior.

The machine has short-circuit protection (internal) and relay output protection (external) function, which makes your usage safer and easier.

Free SR programming and monitoring software, makes you program on your PC free. When SR software is updated, you can download from the Internet freely.

The product has a delicate and compact appearance and a highly integrated design, making your work more conveniently, using the super intelligent space technology.

info@logicbus.com.mx

www.logicbus.com.mx

Alcalde #1822 Col. Miraflores C.P. 44270 Guadalajara, Jal. Mexico
MX 01 (33) 3854-5975 y 3823-4349 USA 001 (619)-884-94-93 (San Diego, CA. Office)

Technical Data:

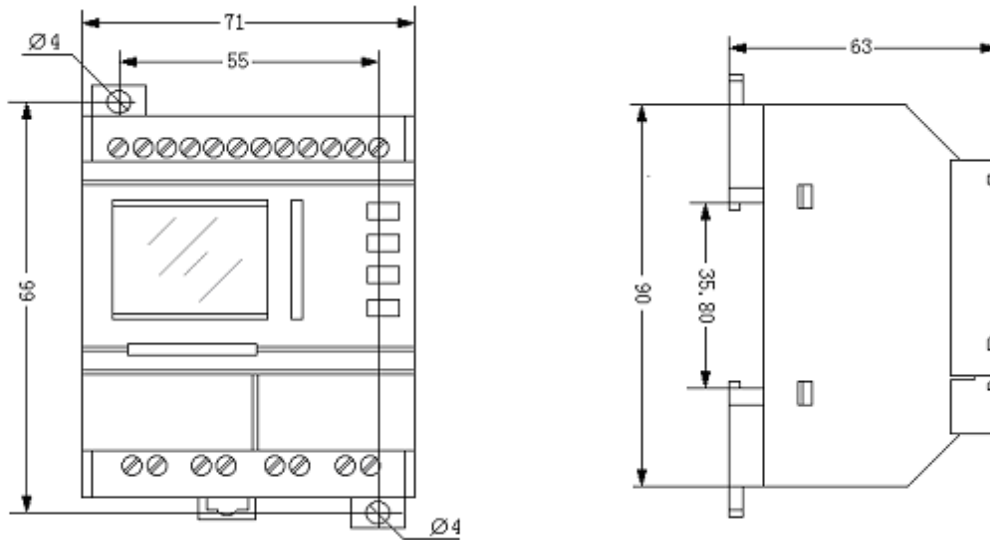
Type Parameter	SR-12RAC	SR-12RDC	SR-12TDC	SR-12GDC
Power	AC 110V~240V	DC 12V~24V	DC 12V~24V	DC 12V~24V
Input parameter:				
Input No.	8 (A0~A5, B4~B5)	8 (A0~A5, B4~B5)	8 (A0~A5, B4~B5)	8 (A0~A5, B4~B5)
Digital input	8 (A0~A5, B4~B5)	8 (A0~A5, B4~B5)	8 (A0~A5, B4~B5)	8 (A0~A5, B4~B5)
Analogue input	None	6 (A0~A5)	6 (A0~A5)	6 (A0~A5)
Power range	AC 0V~240V	DC 0V~24V (digital)	DC 0V~24V (digital)	DC 0V~24V (digital)
		DC 0V~10V (analogue)	DC 0V~10V (analogue)	DC 0V~10V (analogue)
Input signal 0	AC 0V~40V	DC 0V~5V	DC 0V~5V	DC 0V~5V
Input signal 1	AC 85V~240V	DC 10V~24V	DC 10V~24V	DC 10V~24V
Delay from 0 to 1	50ms	50ms	50ms	50ms
Delay from 1 to 0	50ms	50ms	50ms	50ms
Output parameter:				
Output No.	4 (QA0~QA3)	4 (QA0~QA3)	4 (QA0~QA3)	4 (QA0~QA3)
Output type	Relay output	Relay output	Transistor (equivalent NPN) output	Transistor (equivalent PNP) output
Output voltage	AC 0V~240V	AC 0V~240V	DC 0V~24V	DC 0V~24V
	DC 0V~24V	DC 0V~24V		
Output current	Resistor load 10A	Resistor load 10A	2A	2A
	Sensitive load 2A	Sensitive load 2A		
Response time from 1 to 0	8ms	8ms	DC 10V~24V	DC 10V~24V
Response time from 0 to 1	10ms	10ms	10ms	10ms

Technical Data:

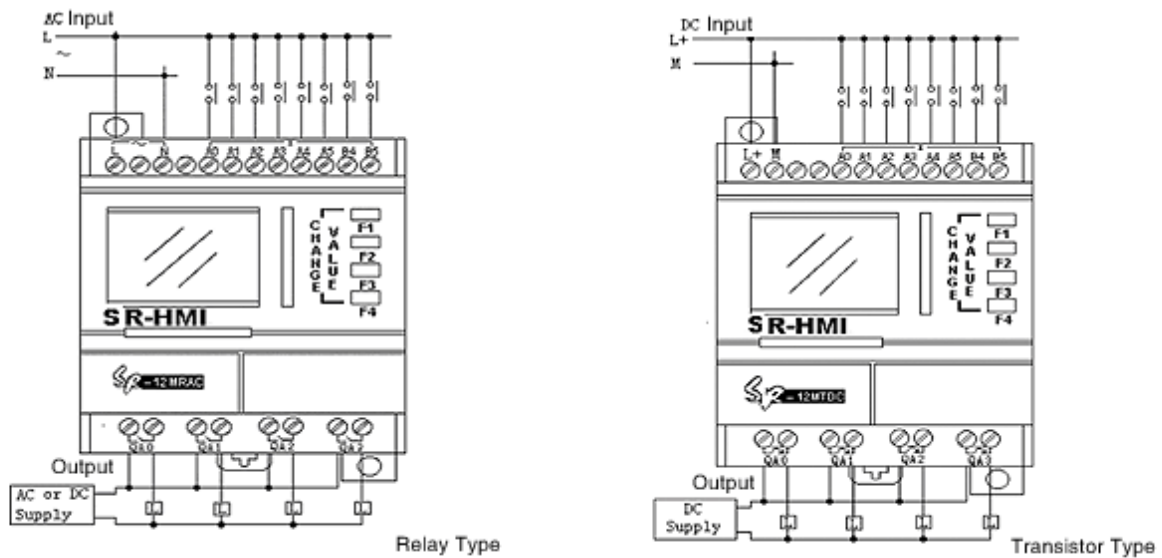
Environment temperature:	
Running temperature	0°C~55°C
Storage/shipment	-40~+70°C
Switch frequency	
Mechanism	10Hz
Resistor/light load	2Hz
Sensitive load	0.5Hz
Other parameter	
Fixation	Use a standard 35mm DIN rail or screw for installation
Clock buffer memory at25°C	80h
RTC accuracy	Max±5s/day
Protection	IP20
Emission on line	EN55011 (B)
The main frequency range	47~63Hz
Function block No.	128
Program storage capacity	64K
Isolation intensity	IEC1131

Installation & Wiring:

Installation Dimensions (mm): Top hat rail Din TS 35mm or screw fixing 2XM3 (diameter of pitch circle 4.00mm)

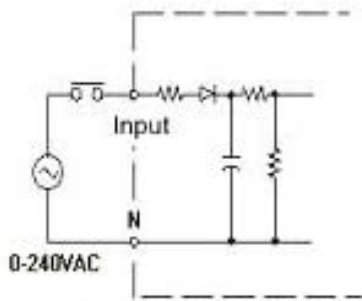


Wiring of the input & output:

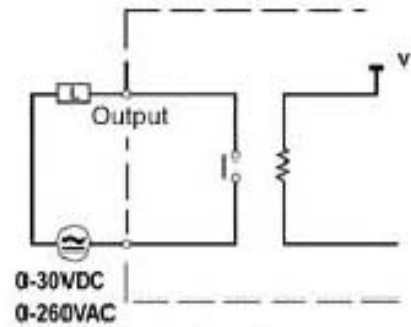


Input & Output Equivalent Circuit Diagram:

SR-12MRAC Input/Output Equivalent Circuit Diagram

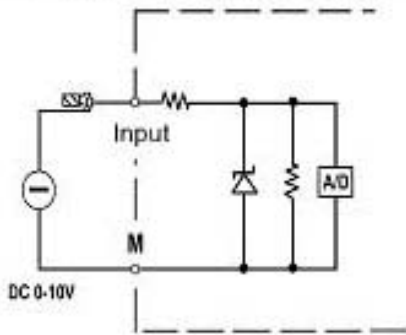


Input Equivalent Circuit Diagram

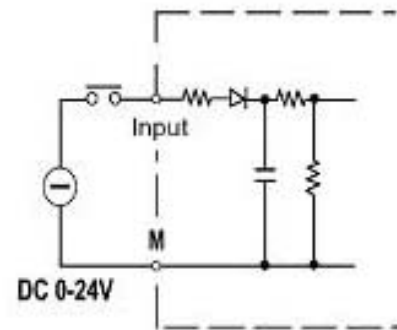


Output Equivalent Circuit Diagram

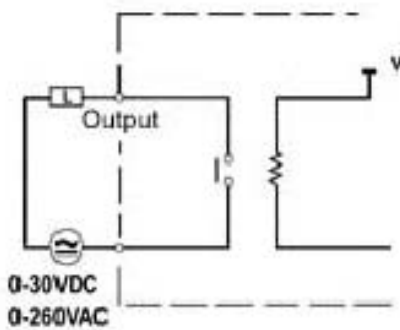
SR-12MRDC Input/Output Equivalent Circuit Diagram



Analogue Input Equivalent Circuit Diagram



Digital Input Equivalent Circuit Diagram



Output Equivalent Circuit Diagram

Wiring of the machine and the expansion module:



Flexible Wiring of the machine and the expansion module:



Notes:

AC type machine must be connected with AC type voice module and AC type expansion module and AC type remote module and all the input voltage is AC 110V—240V.

DC type machine must be connected with DC type voice module, DC type expansion module and DC type remote module and all the input voltage is DC 12V—24V.